

---

*Comfort-Cire*®

Century®

**MARS**  
Delivering Confidence

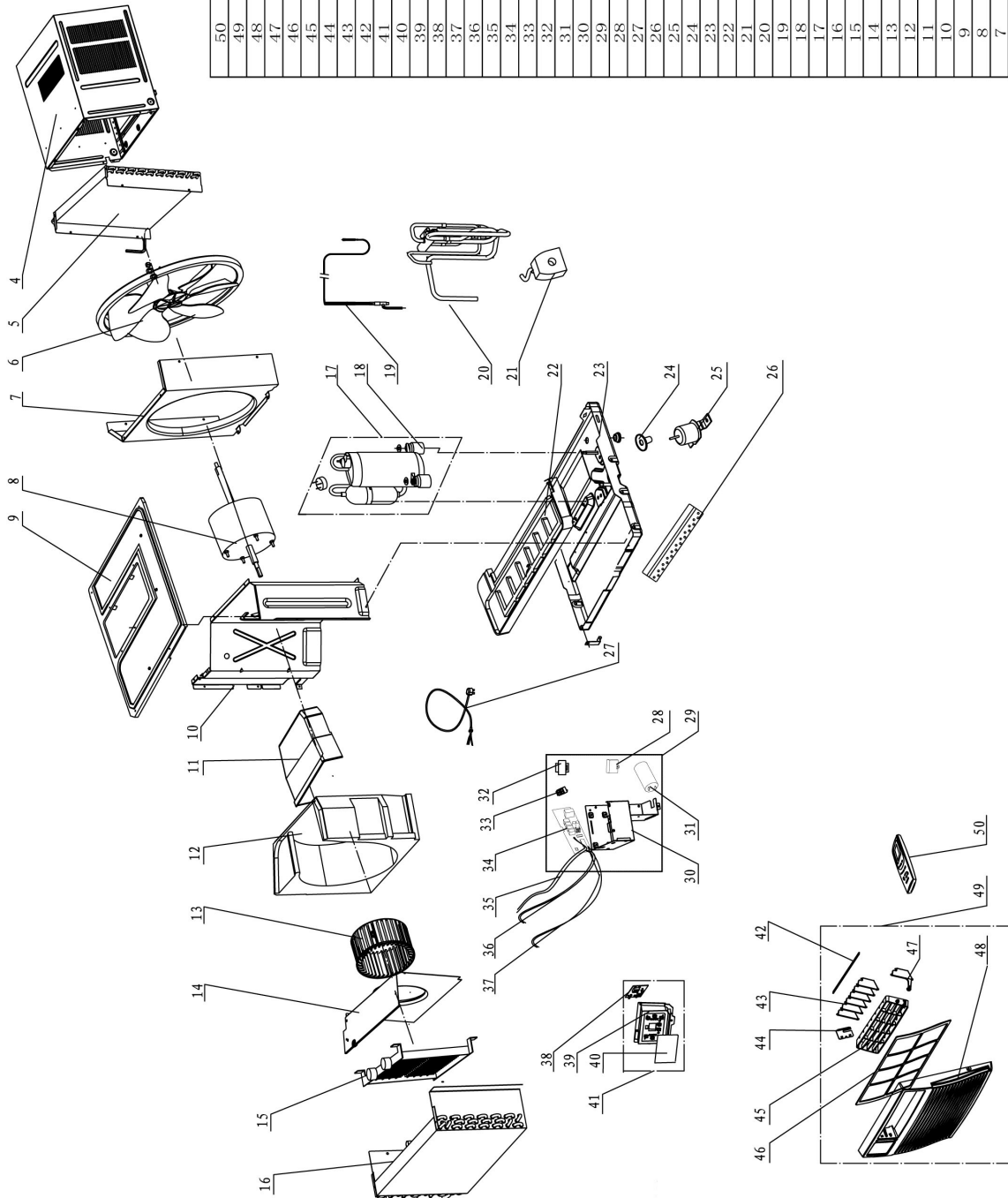
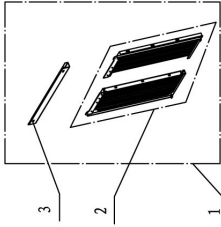
---

PARTS LIST

**Room Air Conditioner with R-410A:  
Heat Pumps**

RAH-123M

# EXPLODED VIEW



50	Remote Controller
49	Front Panel Assy
48	Front Panel
47	Air Louver 1
46	Filter Sub-Assy
45	Air Guide Frame
44	Vane Support
43	Air Louver 2
42	Swing Lever
41	Sub-Assy
40	Membrane
39	Electric Controller Box
38	Display Board
37	Temperature Sensor
36	Room Sensor
35	Sensor
34	Main Board
33	Terminal Board
32	Transformer
31	Capacitor CBB65
30	Electric Box Sub-Assy
29	Electric Box Assy
28	Capacitor CBB61S
27	Power cord (LCDI)
26	Thermal Baffle
25	Drainage Valve
24	Drainage Joint
23	Chassis Sub-assy
22	Water Tray
21	Magnet Coil
20	4-Way Valve Assy
19	Capillary Sub-assy
18	Compressor Gasket
17	Compressor and Fittings
16	Evaporator Assy
15	Electric Heater
14	Assy
13	Centrifugal Fan
12	Lower Propeller Housing
11	Upper Propeller Sub-assy
10	Mid Clapboard
9	assy
8	Fan Motor
7	Rear Clapboard
6	Axial Flow Fan
5	Condenser Assy
4	Cabinet Assy
3	Top Guide Sub-assy
2	Fixing Frame Sub-assy
1	Curtain

## REPLACEMENT PARTS

Location	Part Name	Quantity	Part No.
1	Fixing Frame Assy of Curtain	1	22411007
2	Fixing Frame Sub-assy	1	24211309
3	Top Guide Sub-assy	1	017910081
4	Cabinet Assy	1	01431035
5	Condenser Assy	1	0110125901
6	Axial Flow Fan	1	10331155
7	Rear Clapboard	1	0123101301
8	Fan Motor	1	150110435
9	Top Cover Board Sub-assy	1	01251021
10	Mid Clapboard	1	01231014
11	Upper Propeller Sub-assy	1	12101155
12	Lower Propeller Housing	1	12101207
13	Centrifugal Fan	1	103115032
14	Front Clapboard Sub-Assy	1	01231027
15	Electric Heater	1	32001016
16	Evaporator Assy	1	01001074
17	Compressor and Fittings	1	00101394
18	Compressor Gasket	3	76710287
19	Capillary Sub-assy	1	03000600292
20	4-Way Valve Assy	1	03021032
21	Magnet Coil	1	4300040047
22	Water Tray	1	12311504
23	Chassis Sub-assy	1	0120100142
24	Drainage Joint	1	06121350
25	Drainage Valve	1	07101001
26	Thermal Baffle	1	02121003
27	Pwer cord (LCDI)	1	4002038058
28	Capacitor CBB61S	1	3301074714
29	Electric Box Assy	1	10000201509K
30	Electric Box Sub-Assy	1	01700700044
31	Capacitor CBB65	1	3300008101
32	Transformer	1	43110258
33	Terminal Board	1	42011103
34	Main Board	1	30132196
35	Ambient Temperature Sensor	1	39000206
36	Room Sensor	1	39000191
37	Temperature Sensor	1	390000596
38	Display Board	1	30562081
39	Electric Controller Box	1	20111138
40	Membrane	1	53029901351
41	Electric Controller Box Sub-Assy	1	20101543K37718
42	Swing Lever	1	10581009
43	Air Louver 2	6	10511162
44	Vane Support	1	24211154
45	Air Guide Frame	1	26111303
46	Filter Sub-Assy	1	11121012
47	Air Louver 1	1	10511161
48	Front Panel	1	20001191
49	Front Panel Assy	1	20001284
50	Remote Controller	1	30510142K37718
Not Shown	Carton	1	51029947468

Due to ongoing product improvements, specifications and dimensions are subject to change and correction without notice or incurring obligations. Determining the application and suitability for use of any product is the responsibility of the installer. Additionally, the installer is responsible for verifying dimensional data on the actual product prior to beginning any installation preparations.

Incentive and rebate programs have precise requirements as to product performance and certification. All products meet applicable regulations in effect on date of manufacture; however, certifications are not necessarily granted for the life of a product.

Therefore, it is the responsibility of the applicant to determine whether a specific model qualifies for these incentive/rebate programs.



1900 Wellworth Ave., Jackson, MI 49203 • Ph. 517-787-2100 • [www.marsdelivers.com](http://www.marsdelivers.com)

